

Pure Lead - High Temp



The NSB HT RED Battery[®] delivers long life in unreliable grid conditions even at high temperatures.

- Pure lead electrochemistry greatly increases temp and corrosion resistance while reducing component aging
- Thin plates deliver large surface area high power density and low resistance
- Design life 15+ years at 20°C (68°F)
- Extra long life at high temp operation 40°C (104°F)
- EUROBAT design life definition: Very Long Life (12+ years)
- Advanced 3 stage terminal design to ensure leak-free operation - brass terminals provide maximum performance
- Approved as non-hazardous cargo for ground, sea and air transport DOT 49CFR173.159(d), (i) and (ii)
- Fast recharging
- High cyclic performance
- Flame retardant (UL 94 V0) and LOI of at least 28%
- Shelf life of up to 24 months
- Operating temperature range -40°C to +65°C (-40°F to 149°F)
- State-of-the-art automated manufacturing ensures consistency and reliability
- High modulus Polyphenylene Oxide (PPO) plastic materials designed to withstand extended elevated operating temperatures and maintain high battery compression essential for reliable operation
- Non-halogenated thermally sealed plastic casing

NSB 110FT HT RED

Technical Specifications

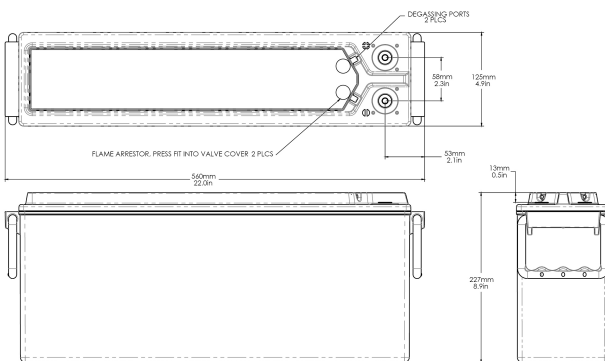
Dimensions (Nominal)

Height	227 mm	Width	125 mm
Length	560 mm	Weight	39 kg

Electrical

Terminal	Female M8 x 1.25
Terminal torque	8.0 Nm (71 in-lbs)
1 hr capacity to 1.70VPC @ 20/25°C (68/77°F)	78 / 81 Ah
3 hr capacity to 1.75VPC @ 20/25°C (68/77°F)	97 / 99 Ah
8 hr capacity to 1.75VPC @ 20/25°C (68/77°F)	107 / 109 Ah
10 hr capacity to 1.80VPC @ 20/25°C (68/77°F)	109 / 110 Ah
Float voltage @ 20/25°C (68/77°F)	2.28 / 2.27 VPC
Impedance (1Khz)	2.7 mΩ @ 25°C (77°F)
Conductance	1724 S
Short circuit current	3800 A
Operation temperature range	-40°C to +65°C
Nominal voltage	12 V

Technical Drawing



All NorthStar batteries are compliant with: Telcordia SR4228, IEC 60896; Bellcore GR-63-Core, Issue 1; British, German, and Russian telecom standards; UL approved and UN2800 certified. NorthStar is registered to ISO 9001 and ISO 14001.