

Pure Lead - High Rate



The NSB UPS Battery[®] delivers superior performance at high discharge rates down to <15 mins.

- Performance excels at high rates of discharge and recharge
- Pure lead electrochemistry greatly increases temp and corrosion resistance while reducing component aging
- Thin plates deliver large surface area high power density and low resistance
- Design life 15+ years at 20°C (68°F)
- EUROBAT design life definition: Very Long Life (12+ years)
- High modulus Polyphenylene Oxide (PPO) plastic materials designed to withstand extended elevated operating temperatures and maintain high battery compression essential for reliable operation
- Flame retardant (UL 94 V0) and LOI of at least 28%
- High energy density
- Operating temperature range -40°C to +65°C (-40°F to 149°F)
- State-of-the-art automated manufacturing ensures consistency and reliability
- Advanced 3 stage terminal design to ensure leak-free operation - brass terminals provide maximum performance
- Non-halogenated thermally sealed plastic casing
- Approved as non-hazardous cargo for ground, sea and air transport DOT 49CFR173.159(d), (i) and (ii)

NSB 12-310

Technical Specifications

Electrical

Terminal	Female M6 x 1.0	Terminal torque	8.0 Nm (71 in-lbs)
4C (15min) power to 1.67 VPC	310 Watts/Cell	Float voltage	2.28 VPC
Shelf life	up to 24 months	Conductance	1760 S
Impedance (1Khz)	2.61 m Ω @ 25°C (77°F)	Short circuit current	3000 A
Operation temperature range	-40°C to +65°C	Nominal voltage	12 V
Silver equivalent	12-300	Capacity	W/cell (15 min)

Dimensions (Nominal)

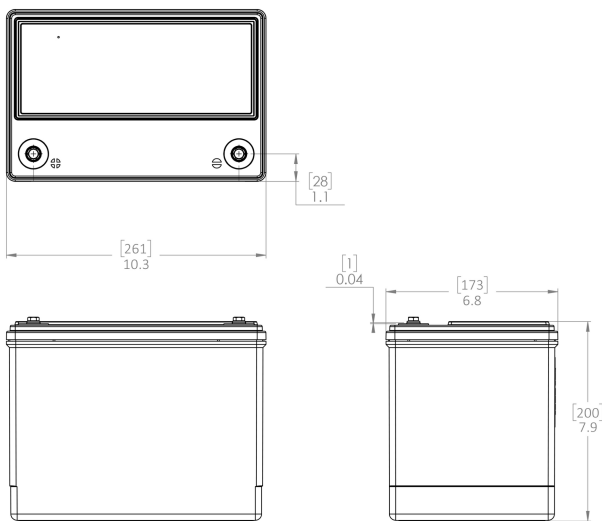
Height	200 mm	Width	173 mm
Length	261 mm	Weight	26 kg

Constant Power Discharge Ratings (WPC @ 25°C/77°F)

Duration (minutes) (watts/cell @ 25°C/77°F)

End of discharge (Volts)	2 min	5 min	10 min	15 min	20 min	30 min	45 min	60 min	120 min
1.75	760	547	379	294	242	180	131	103	57
1.70	829	581	396	304	249	184	133	105	57
1.67	867	599	405	310	252	186	134	106	57
1.65	891	610	410	313	255	187	135	106	57
1.60	943	633	420	320	259	190	136	107	58

Technical Drawing



All NorthStar batteries are compliant with: Telcordia SR4228, IEC 60896; Bellcore GR-63-Core, Issue 1; British, German, and Russian telecom standards; UL approved and UN2800 certified. NorthStar is registered to ISO 9001 and ISO 14001.